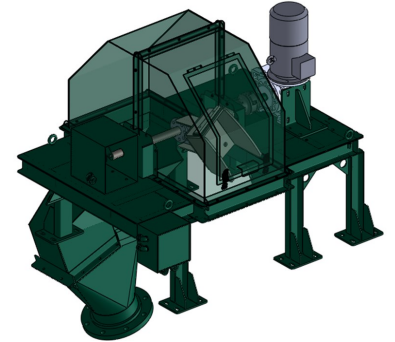


SW-02 Automatic sampler

Technical specifications

Type: Cross belt type sampler

Serie: SW



Equipment's information		
Description	Cross belt type hammer sampler	
Operation	Cross cut over belt with round trajectory	
Main application	Primary simple over moving streams of bulk material	
Material to be sampled	Dry granulate and moist agglomerates	
Top size of material	P95 4,5"	
Mounting	Over conveyor belt's structure	
Cutting speed m/s	1,5 to 2 times conveyor's belt speed	
Material of construction	Standard	Structure and covers in ASTM A36 mild Steel. Cutter in T1 high strength
	Optional	Structure and covers in ASTM A36 mild Steel. Cutter in AISI 316L Stainless steel
Sampling chute	Dry solids	ASTM A36 mild Steel with T1 lining
	Salts and moist agglomerates	ASTM A36 mild Steel with Tivar88 Lining
Drive	Standard	Geared IEC Motor with brake
	Optional	Geared NEMA Motor with brake
Belt width	20° idlers	From 12" to 30"
	35° idlers	From 18"
	45° idlers	From 24"
Special five roll idlers	Standard	Special five roll idlers, two before and two after cutting area.
	Optional	Special five roll idlers, 2 training type
Cutter wiper	Standard	Polyurethane or synthetic rubber
	Optional	Brush
Control supply	Standard	110V 1Ph 50 Hz
	Optional	220V 1Ph, 50 or 60 Hz
Drive supply	Standard	380V 3Ph 50 Hz
	Optional	460V-600V 3Ph 50 or 60Hz
Control System	Standard	Control and drive joint boxes welded to chassis, cutter position sensor, inspection gates safety sensors, operation beacon, Programmed PLC in IP65 Cabinet.
	Optional	Standard + Variable frequency drive and LCD 4,3" Touch screen
Sampling period	Manual	With local keypad
	Automatic	Programmable period
Additional	Sample chute's square to round section adapter	
Typical configurations	Profibus DP or Modbus communication to DCS	
	As primary sampler straight to sample collector	
	As primary sampler to carrousel collector	
	As primary sampler to dosing conveyor and sample reduction system to sample collector	

Disclaimer:

- 1._RDI S.A. reserves the right to modify models, components, specifications and models continuity any moment, any time without previous notification.
- 2._To assure equipment's characteristics, please make a query of RFQ through our attention channels.



SW-02 Automatic sampler

Technical specifications

Type: Cross belt type sampler

Serie: SW

Our “RUDO” Cross belt type sampler is an automatic primary sampling equipment that offers a cost effective and versatile solution taking increments straight from moving streams, therefore it needs neither discharge chutes nor additional structure for mounting and operation.

This sampler is of easy to install and can work over horizontal or inclined belt structures.

In addition, its reduced size allows it to be located in closed galleries with belts from 12” width.



Its main application field has been lime, crushing, salt and coal industries with tonnages from 60 to 3500 tph.

RDI S.A. supplies the equipment with its sample chute with square to round section for discharge pipes from 4 to 12 inches.

