

MR-21 and MRC-21 rotary samplers

Technical specifications

Type: Rotary samplers

Serie: MR/MRC

Our MR and MRC rotary samplers are compact, versatile and highly reliable equipment.

Their main application focuses in reducing sample in multi stage sampling systems, for slurries or granulates.

Usually they are located just after a cross cut primary sampler where a sample size reduction is needed.

Their high torque and geared drive allows it to keep constant speed along the whole reduction operation, making it a metallurgical sampler.

The high resistance stainless Steel cutter avoids sample contamination and make it possible to reduce from 2% to 10% the size of primary increment depending on the number of throats, 1,2 3 or four.



All our MR-21 equipment for slurries are rubber lined, increasing its lifespan enhancing the wear resistance from highly abrasive flows.

For highly abrasive materials, our MRC-21 is the ideal option for secondary and tertiary stages. Its interior faces are lined with T1 high resistance Steel plates which can be easily replaced.



MR-21 and MRC-21 rotary samplers

Technical specifications

Type: Rotary samplers

Serie: MR/MRC



Equipment's information				
Material to be sampled		Granulates	Slurries	
Description		Rotary secondary sampler	Primary or secondary rotary sampler	
Operation		Radial cross cut from a vertical stream		
Main application		Metallurgical and particle size control	Metallurgical control	
Collection mode		Through a rotary cutter with throats that drive the portions to a central duct. Main stream continues to reject exit in the lower portion.		
Mounting		Vertical over base plate		
Piping connection	Standard	Fast Victaulic type connection		
	Optional	Flanges ANSI B 16.5 CL 150		
Material of construction	Body	Standard	ASTM A36 Mild Steel with RAL 6016 6 mills minimum thickness Surface protection	ASTM A36 mild Steel with 10 mm minimum thickness rubber lining. RAL 6016 6 mills minimum thickness Surface protection
		Optional	ASTM A36 Mild Steel with T1 HBN 400 lining	ASTM A36 mild Steel with neoprene lining
	Cutter	AISI 316L Stainless Steel		AISI 316L or SAF 2205
	Cutter lips	Standard	Part of cutter	
Optional		Removable		
Drive		Geared IEC or NEMA Electric Motor		
Transmission		Direct		
Available sizes		24" and 40"	16,20,24,28,30,36 and 40"	
Safety		Inspection and maintenance gates with inductive sensors. Grating under gates		
Self cleaning		Not considered	10 lpm water nozzle	
Control supply	Standard	110V 1Ph 50/60 Hz		
	Optional	220V 1Ph, 50/60 Hz		
Drive supply	Standard	380V 3Ph 50/60 Hz		
	Optional	460V-600V 3Ph 50/60 Hz		
Control System	Standard	Joint box fixed to equipment's body. Control cabinet for single unit available		
	Optional	Variable frequency drive. Operation Beacon		
Sampling period		Automatic	Programmable	

Disclaimer:

- 1._RDI S.A. reserves the right to modify models, components, specifications and models continuity any moment, any time without previous notification.
- 2._To assure equipment's characteristics, please make a query of RFQ through our attention channels.

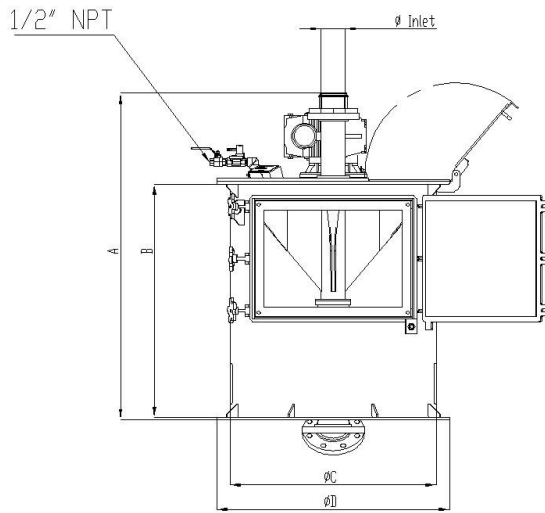


MR-21 and MRC-21 rotary samplers

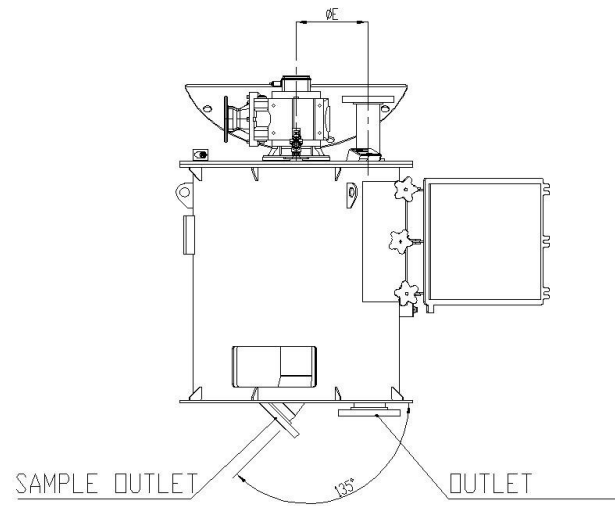
Technical specifications

Type: Rotary samplers

Serie: MR/MRC



VISTA ELEVACION



VISTA LATERAL

Main dimensions of equipment for slurries

Model	A (mm)	B (mm)	C (mm)	D (mm)	E (mm)	Inlet	Sample Outlet	Outlet	Net weight (kg)
14"	640	413	356	456	99	3/4" SCH-40	1" SCH-40	1" SCH-40	70
16"	697	470	406	506	115	1" SCH-40	1,5" SCH-40	1,5" SCH-40	90
18"	575	530	460	560	142	1" SCH-40	1,5" SCH-40	1,5" SCH-40	120
20"	873	580	510	610	148	2" SCH-40	2,5" SCH-40	2,5" SCH-40	150
24"	973	680	614	714	193	2,5" SCH-40	3" SCH-40	3" SCH-40	190
28"	1100	800	710	810	241	2,5" SCH-40	3" SCH-40	3" SCH-40	285
30"	1204	860	760	860	265	3" SCH-40	4" SCH-40	4" SCH-40	330
36"	1384	1040	916	1016	343	3" SCH-40	4" SCH-40	4" SCH-40	440
40"	1510	1166	1020	1120	378	4" SCH-40	4" SCH-40	4" SCH-40	500

Disclaimer:

- 1_ RDI S.A. reserves the right to modify models, components, specifications and models continuity any moment, any time without previous notification.
- 2_ To assure equipment's characteristics, please make a query of RFQ through our attention channels.

