

MV-21-(E/N) Sampler

Technical specifications

Type: Solutions and sulphuric acid sampler

Serie: MV



Equipment's information		
Model	MV-21-E	MV-21-N
Description	On line sampler for solutions. Electric drive	On line sampler for solutions, Pneumatic drive
Wetted parts material	PTFE, AISI316L, SAF2205 or Hasteloy C276	
Sampler increment	Fixed volumen from 3 to 10 cc	
Seals	PTFE, Viton	
Drive	Electric 12/24 Vcc	Pneumatic 6-10 bar
Protection	Standard	No protection box
	Optional	AISI 304 Protection box
Piston sensors	Standard	Limit Switch
	Opcional	Limit Switch+ Hall
Washing	Standard	Manual Inox 1/2" valve in sample duct
	Optional	Electric 1/2" valves in sample duct and back flow to sample spool
Joint box 200x150x100	Stainless/polyester	
Pneumatic box 300x200x150	N/A	Stainless Steel/polyester
PLC Cabinet 500x400x200	Stainless Steel/polyester	
Control system	Manual local and remote	
Outputs	Standard	Dry contacts
	Optional	ModBus, Profibus, Hart
Required supply	110-220 Vac 50/60 Hz	
Soluciones a Muestrear	Pressure flows with less tan 10% suspended solids	
Suspended solids	Max size of 1,5 mm	
Mounting	Standard	Flange 2,5" CL150 ANSI B16.5 direct to line 2,5 a 12"
	Opcional	Flange 2,5" CL150 ANSI B16.5 in sample spool 2,5"
Increment reception	Standard	Coupling racor direct to 1000 cc Glass bottle
	Optional	PA Sample reception box with presence, filling and open door sensors (Para H ₂ SO ₄)
Recommendations	Consider by pass and valves for correct maintenance	

Note:

1._RDI S.A. reserves the right to modify models, components, specifications and models continuity at any momento, at any time without previous notification.



MV-21-(E/N) Sampler

Technical specifications

Type: Solutions and sulphuric acid sampler

Serie: MV

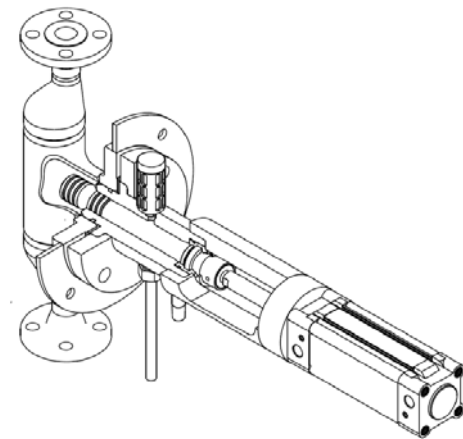
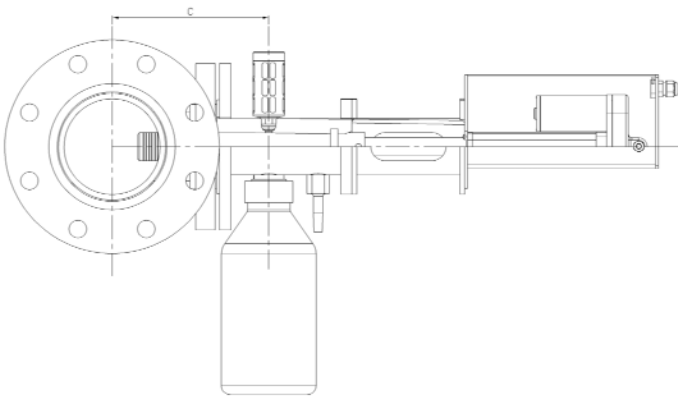


Figure 1. MV-21-N Direct on line mounting



Figure 2. MV-21-N Bypass mounting

Note:

1. RDI S.A. reserves the right to modify models, components, specifications and models continuity at any momento, at any time without previous notification.



MV-21-(E/N) Sampler

Technical specifications

Type: Solutions and sulphuric acid sampler

Serie: MV

Our RUDO “MV-21-E/N” sampler consists of a piston which introduces in the pressure flow of a pipe. This piston has a fixed negative volumen from 3 to 10 cc which is filled with the flow forming the increment. This volumen is calculated in order to meet the minimum size of the composite during the required shift. The increment volume can be modified changing the piston in a minor maintenance campaign.

When it is about sampling sulphuric acid, special care has been taken in consideration, specially with the air-tight seals and personel’s safety.

The extraction system, built in corrosión resistant materials, considers triple seals, assuring constant volume samples and extended operation time.



PA Sampler reception box

Our “PA” sample reception box is designed to keep the composite isolated from enviroment, a critical feature when it is about to sample aggressive fluids such as sulphuric acid. The increments’s storage process is made inside the sealed sample reception box which contains a positioning and sealing system for a 1000 cc glass bottle and replacement. The sampler reception box has sensors that monitor the presence of the bottle, the máximo filling volume and warns when the door is not correctly closed. These considerations including the permanent use of safety equipment achieve a safe operation.

